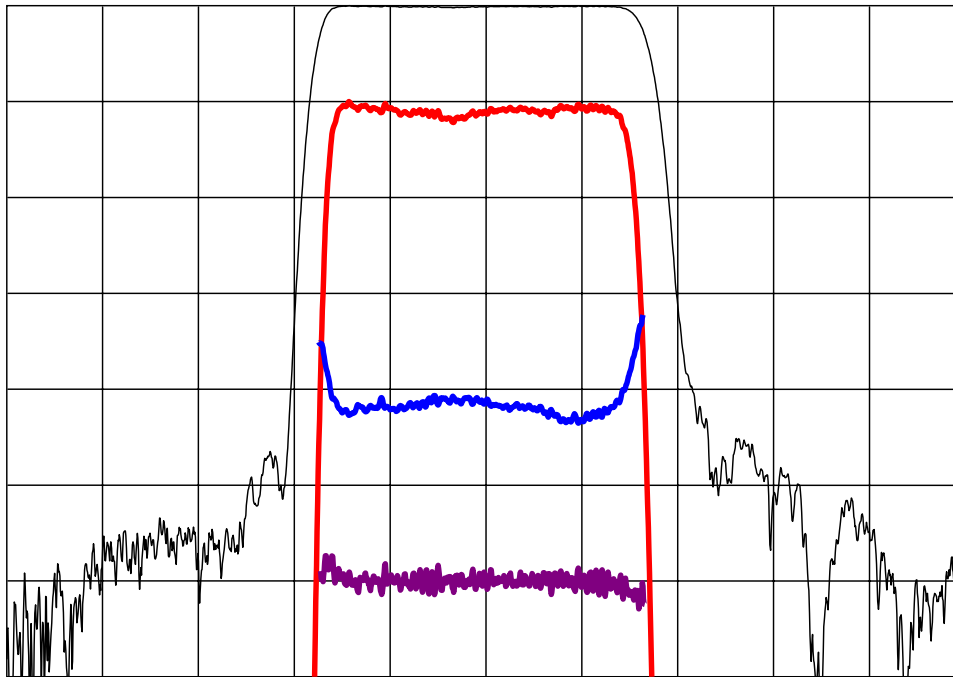


## DESCRIPTION

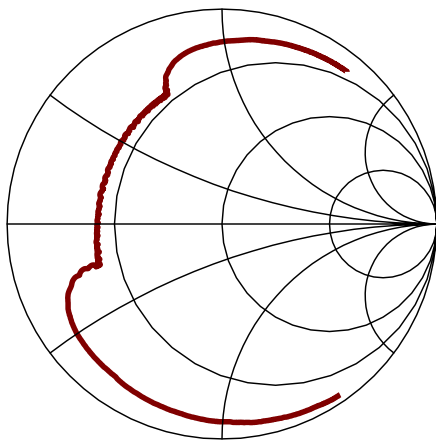
- 76.8 MHz SAW bandpass filter with 20 MHz bandwidth.
- 13.3 x 6.5 mm LCC package.
- RoHS compliant.

## TYPICAL PERFORMANCE

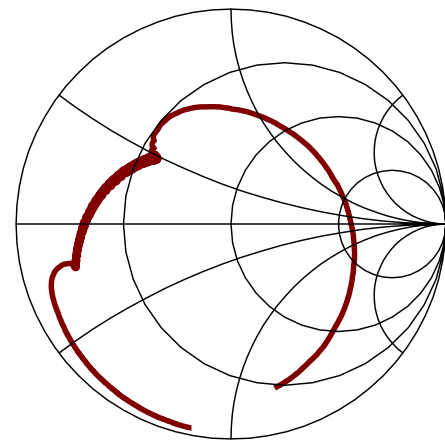


Horizontal:	Frequency :	8	MHz/div
Vertical:	Relative Magnitude :	10	dB/div
	Relative Magnitude :	1	dB/div
	Phase Linearity :	5	deg/div
	Group Delay :	50	ns/div

**S11 (36.8-116.8 MHz)**

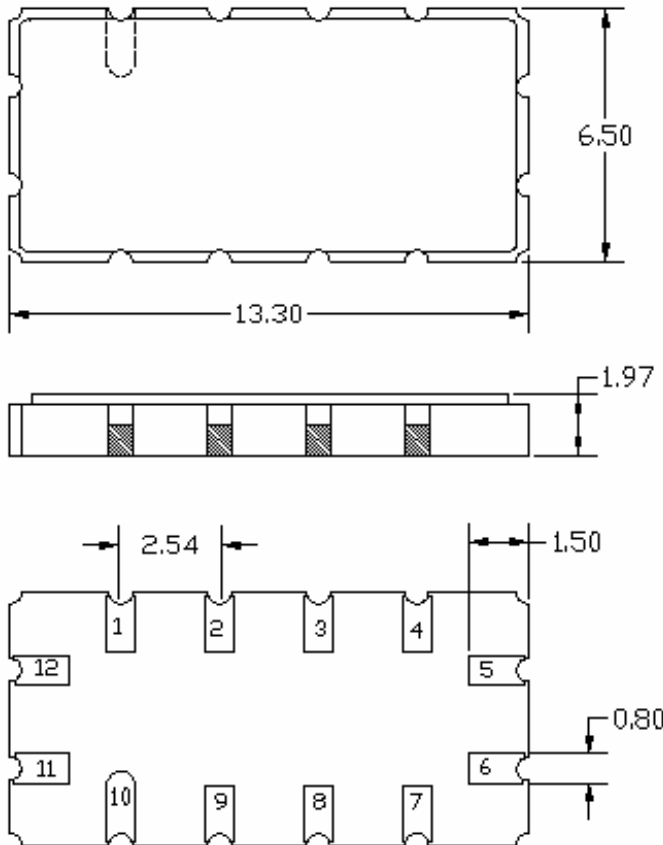


**S22 (36.8-116.8 MHz)**

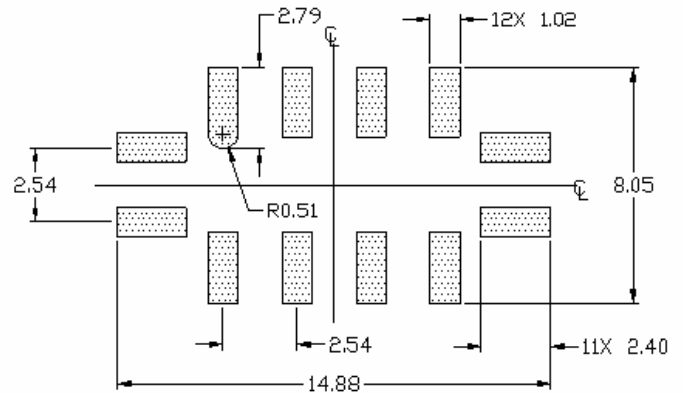




**PACKAGE OUTLINE**



**SUGGESTED FOOTPRINT**



**Units:** mm

Tolerances are  $\pm 0.15$  mm except where indicated.

**Pad Configuration:**

Input:	11
Input return:	12
Output:	5
Output return:	6
Ground:	All other pads

Package Material:  
 Body:  $Al_2O_3$  ceramic  
 Lid: Kovar, Ni plated  
 Terminations: Au plating 1  $\mu$ m min,  
 over a 1.3-8.9  $\mu$ m Ni plating

ISO 9001  
Registered

All specifications are believed to be accurate and reliable. However, Spectrum Microwave reserves the right to make changes without notice.  
 © 2010 All rights reserved.

**Spectrum Microwave**  
 400 Nickerson Road, Marlborough, MA 01752, USA • Phone 1-508-251-6400 • Fax 1-508-251-6401  
[www.SpectrumMicrowave.com](http://www.SpectrumMicrowave.com)