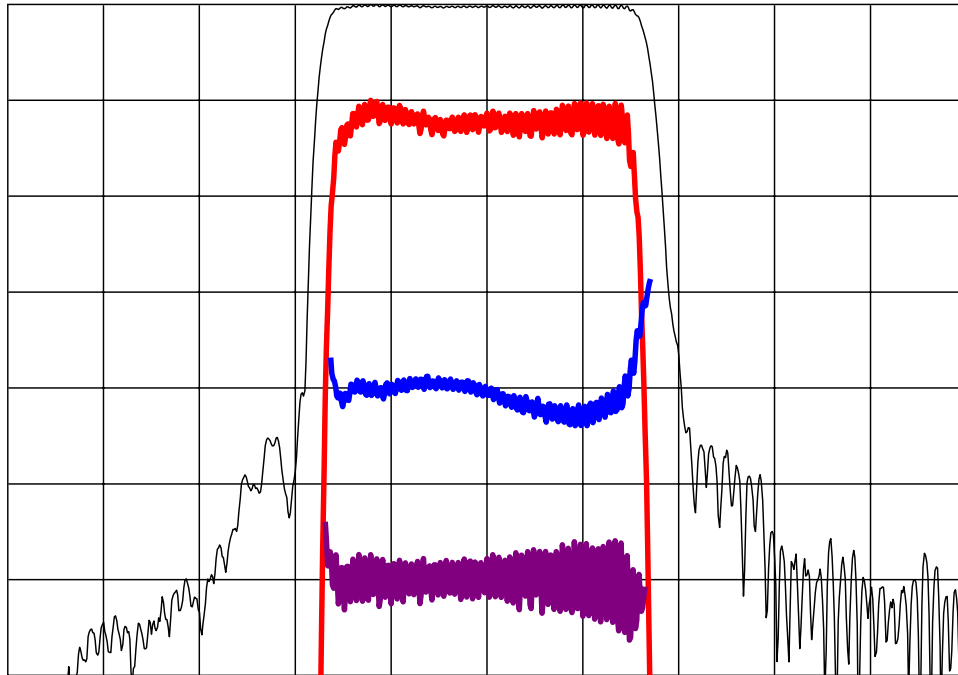


## DESCRIPTION

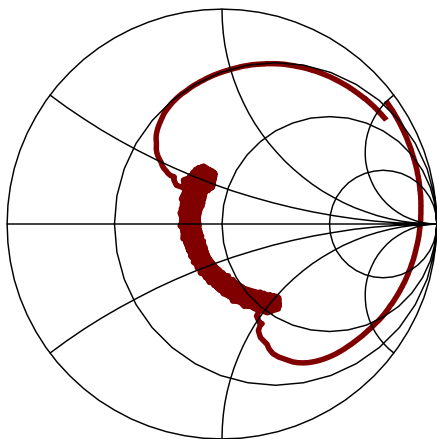
- 126 MHz SAW bandpass filter with 32 MHz bandwidth.
- 9 x 7 mm ceramic LCC package.
- RoHS compliant.

## TYPICAL PERFORMANCE

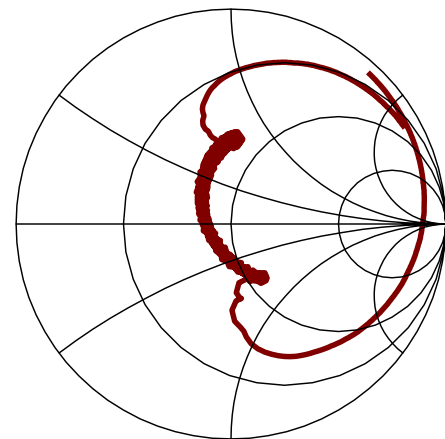


Horizontal:	Frequency :	12	MHz/div
Vertical:	Relative Magnitude :	10	dB/div
	Relative Magnitude :	1	dB/div
	Phase Linearity :	10	deg/div
	Group Delay :	50	ns/div

**S11 (66-186 MHz)**

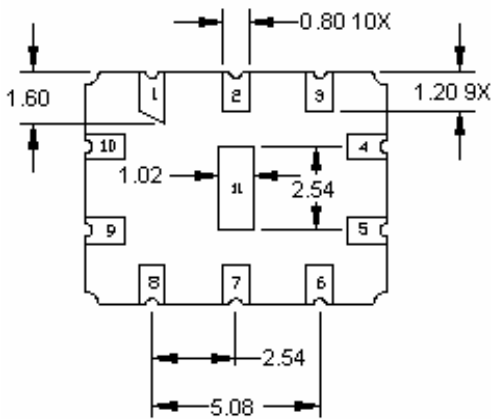
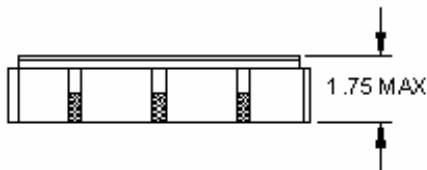
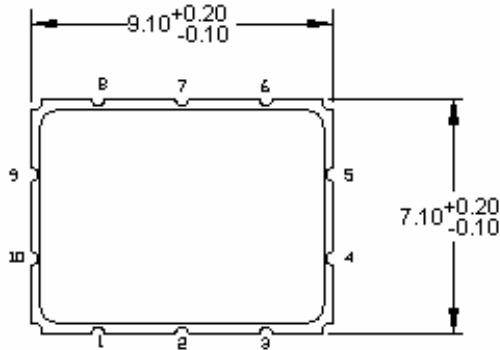


**S22 (66-186 MHz)**



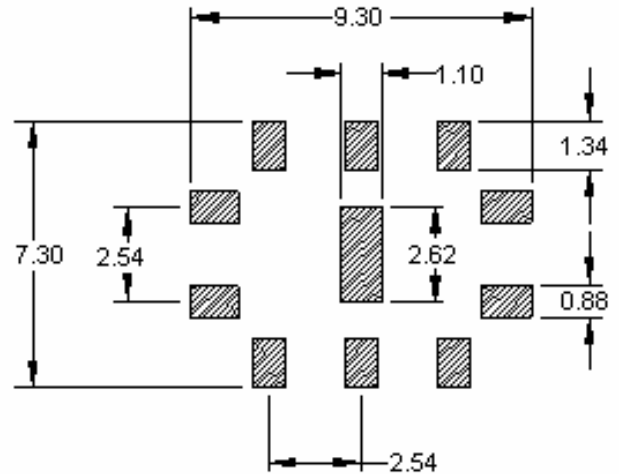


**PACKAGE OUTLINE**



Package Material:  
Body:  $Al_2O_3$  ceramic  
Lid: Kovar, Ni plated  
Terminations: Au plating 1  $\mu$ m min,  
over a 1.3-8.9  $\mu$ m Ni plating

**SUGGESTED FOOTPRINT**



**Units:** mm

Tolerances are  $\pm 0.15$  mm except where indicated.

**Pad Configuration:**

Input: 9  
Output: 4  
Ground: all other pads

ISO 9001  
Registered

All specifications are believed to be accurate and reliable. However, Spectrum Microwave reserves the right to make changes without notice.  
© 2010 All rights reserved.