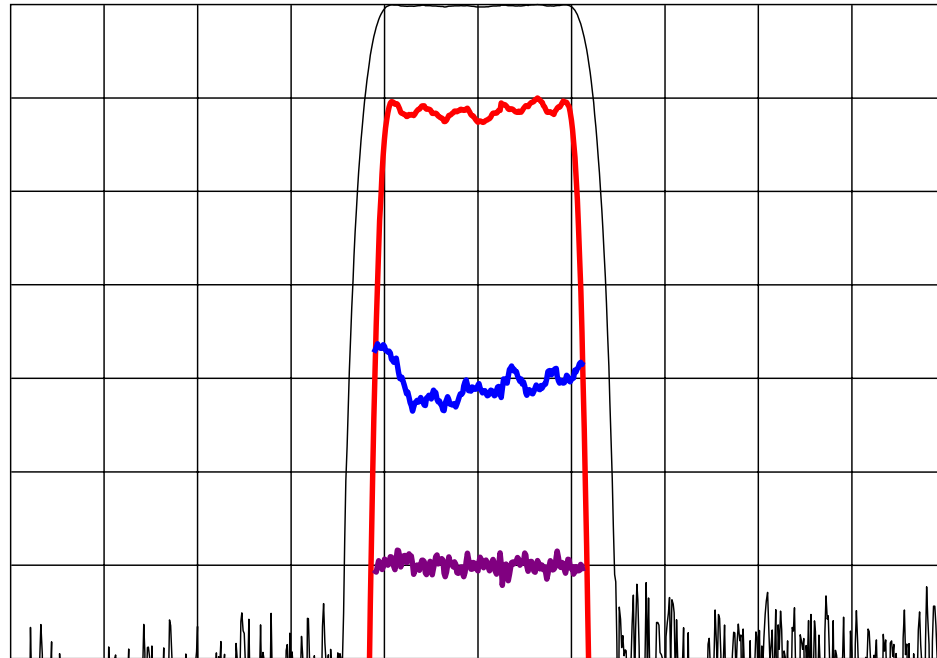


## DESCRIPTION

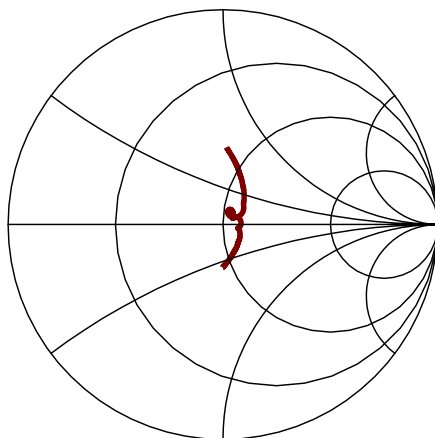
- 60 MHz SAW bandpass filter with 7.8 MHz bandwidth.
- 35.1 x 20.6 mm DIP package.
- RoHS compliant.

## TYPICAL PERFORMANCE

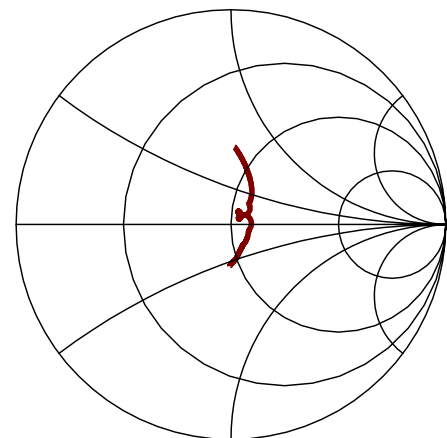


Horizontal:	Frequency :	4	MHz/div
Vertical from Top:	Relative Magnitude :	10	dB/div
	Relative Magnitude :	1	dB/div
	Phase Linearity :	2	deg/div
	Group Delay Deviation :	50	ns/div

**S11**



**S22**



## SPECIFICATION

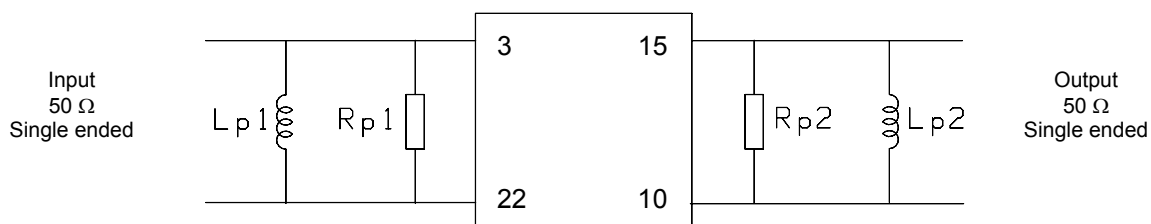
Parameter <sup>1</sup>	Min	Typ	Max	Units
Center Frequency (Fc) <sup>1</sup>	59.70	60.00	60.30	MHz
1dB Bandwidth <sup>2</sup>	7.80	8.30	-	MHz
3dB Bandwidth <sup>2</sup>	-	8.90	9.20	MHz
55dB Bandwidth <sup>2</sup>	-	11.40	12.20	MHz
Device Delay	-	1.85	3.00	us
Insertion Loss (over 1dB BW)	-	31.5	34	dB
Passband Amplitude Ripple <sup>3</sup>	-	0.30	0.50	dB p-p
Passband Phase Ripple <sup>3</sup>	-	1.5	2.0	deg p-p
Triple Travel and Spurious	55	60		dB
Input VSWR <sup>4</sup>	-	1.3	1.5	:1
Output VSWR <sup>4</sup>	-	1.3	1.5	:1
Source and Load Impedance	-	50	-	$\Omega$
Ambient Temperature	-	25	-	$^{\circ}\text{C}$

- Notes:
1. Average of lower & upper 3 dB frequencies.
  2. Referenced to the insertion loss of the device.
  3. Defined as the difference between highest and lowest levels over 56.1 to 63.9 MHz.
  4. Measured at 60 MHz at Ambient Temperature only.

## MAXIMUM RATINGS

Parameter	Min	Max	Units
Storage Temperature Range	-40	85	$^{\circ}\text{C}$
Operating Temperature Range	-25	85	$^{\circ}\text{C}$
Input Power Level	-	13	dBm

## MATCHING CIRCUIT

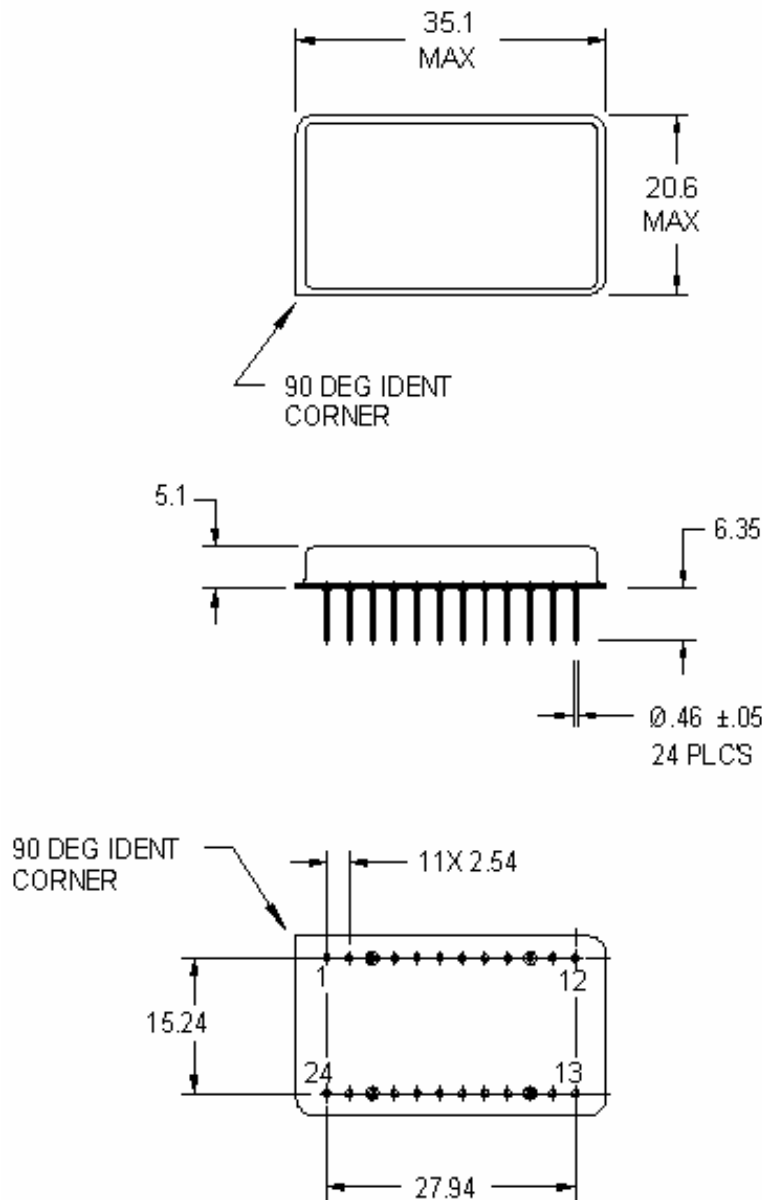


Typical component values:      Lp1 = 180 nH              Lp2 = 180 nH  
(Minimum inductor Q = 45)      Rp1 = 68  $\Omega$               Rp2 = 68  $\Omega$

### Notes:

- Suggest the use of 2% tolerance matching components.
- Tuning values shown are for reference only. Optimum values may change depending upon board layout.

**PACKAGE OUTLINE**



**Units:** mm

Tolerances are  $\pm 0.15$  mm except for the overall length and width, which are nominal values.

Pin Configuration:

Input: 3  
 Input Ground: 22  
 Output: 15  
 Output Ground: 10  
 Case Ground: All other pins



All specifications are believed to be accurate and reliable. However, Spectrum Microwave reserves the right to make changes without notice.  
 © 2010 All rights reserved.